

OUTREACH

MAX XT / LITE XT

ADDITIONAL INSTRUCTIONS

PLEASE READ BEFORE INSTALLATION

OUTREACH Max XT and OUTREACH Lite XT are outdoor-rated versions of Veracity's OUTREACH Max and OUTREACH Lite network extenders.

This sheet contains important additional information regarding the physical connection and mounting of the XT models.

PoE and network performance is identical to the standard models. For further information, please refer to the enclosed OUTREACH Max / Lite installation manual.

LOCATION

Veracity XT models are rated to IP66 and for temperatures from -40°C to 60°C (-40°F to 140°F), and are housed in a tough polycarbonate enclosure.

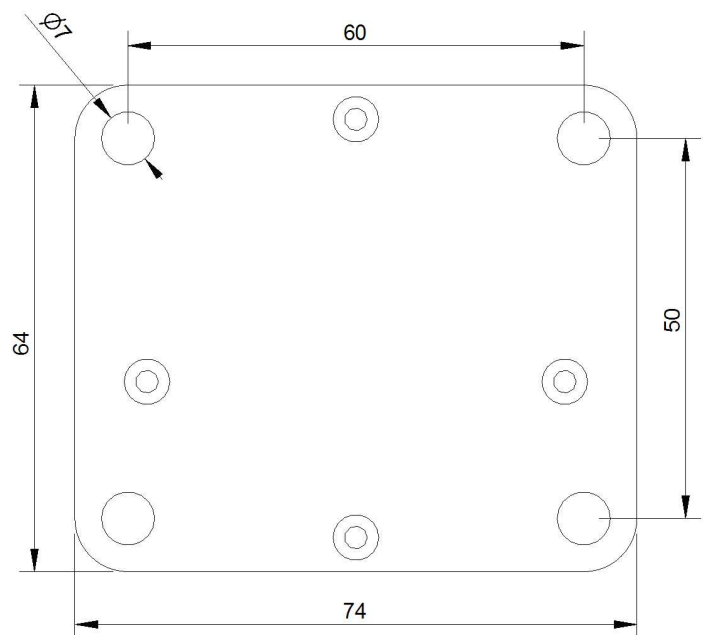
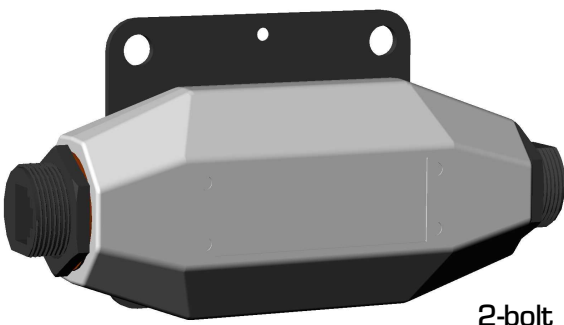
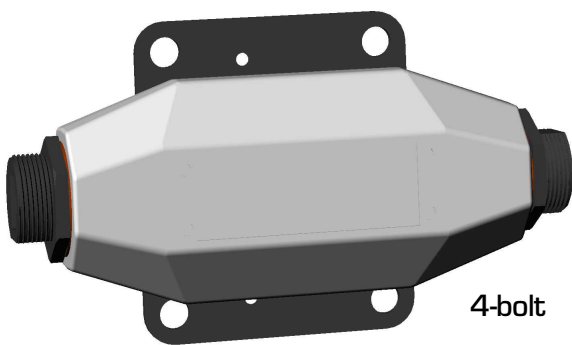
However, for maximum protection against water ingress and temperature extremes in case of damage, installation problems, or operation beyond ratings, it is recommended to locate the unit, where possible:

- Oriented horizontally
- Shaded from direct sunlight
- Sheltered from rainfall

MOUNTING

The optional mounting plate is attached to the unit using the two supplied tapping screws (spares included). It may be fitted in two orientations, for 4-bolt mounting or offset 2-bolt mounting, according to the space available. Mounting hardware is not included, as this is specific to each installation.

Both mounting options are shown below with a dimensioned template of the mounting plate:

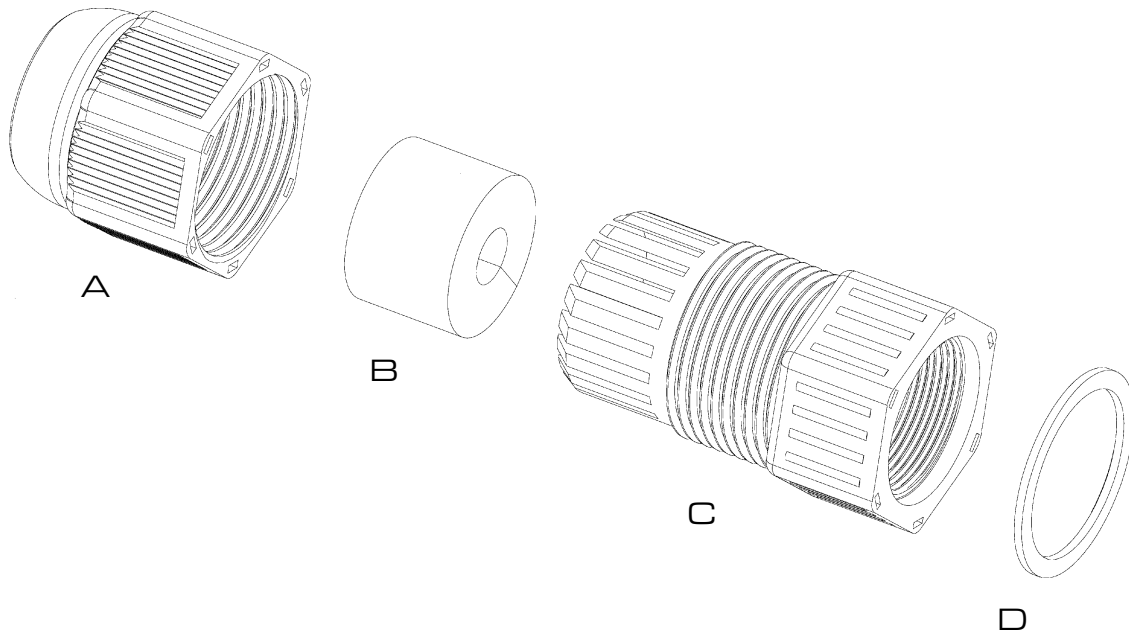


CONNECTOR ASSEMBLY

IMPORTANT - please follow the procedure below carefully to ensure the best seal:

Preparing the cable:

1. Fit a standard RJ45 plug to the network cable
2. Thread the cable through the outer cap A
3. Fit the split rubber grommet B over the cable
4. Thread the cable through the inner cap C



Assembling the connector:

5. Fit the rubber washer D to the OUTREACH connector, with the flat side facing inwards
6. Plug the RJ45 connector on the cable into the OUTREACH
7. Holding the OUTREACH, screw the inner cap C onto the OUTREACH connector and tighten firmly
Tightening the inner cap C before fitting the outer cap A prevents the cable from twisting
8. Push in the grommet B and screw the outer cap A tight
The cable is sealed when the grommet B bulges to the edge of the outer cap A

If the connector has to be removed:

1. Holding the inner cap C, fully unscrew the outer cap A
2. Unscrew the inner cap C. Try to prevent the nut on the connector from unscrewing with it
3. Check the connector nut and re-tighten if necessary
4. Check that the rubber washer D has not become stretched due to overtightening
5. Ensure all parts are dry before reassembly

FURTHER INFORMATION

For the latest application notes and technical tips, please visit: www.veracityglobal.com