

TECHNICAL SPECIFICATION:

OUTSOURCE

Features

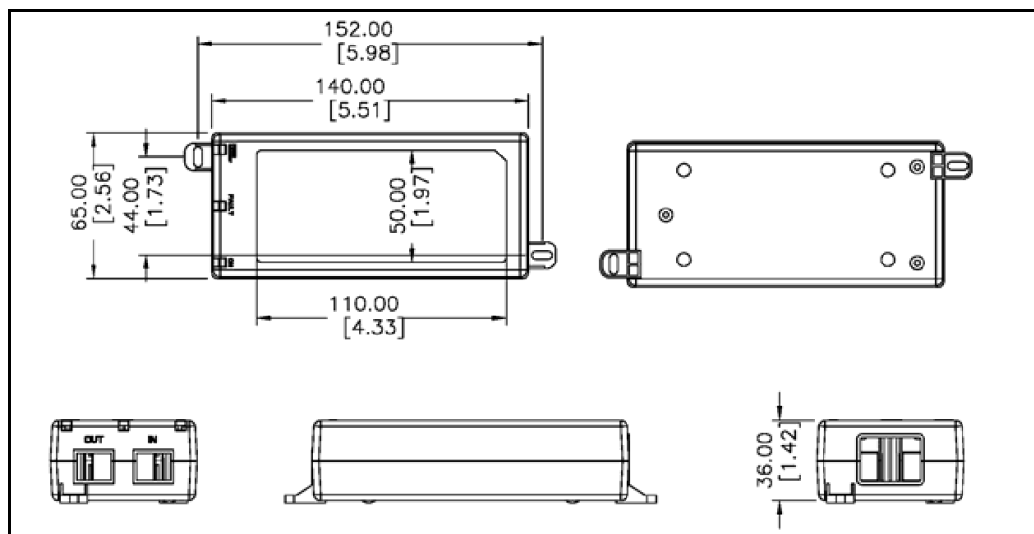
- Fully Compliant IEEE802.3af Power over Ethernet (PoE) midspan injector
- 10/100/Gigabit Ethernet compatible
- Diagnostic LEDs
- Full OCP, OVP protection
- Non-vented case
- Delivers enhanced PoE to Veracity OUTREACH products for extended range and power

Example PoE devices that can be used with OUTSOURCE

- Security cameras
- IP telephones
- Wireless network access points
- IP print servers
- OUTREACH Ethernet and PoE range extender
- OUTREACH QUAD PoE-forwarding Ethernet switch

Mechanical Characteristics

- Length: 140mm (5.51in)
- Height: 36mm (1.42in)
- Width: 65mm (2.55in)
- Weight: 0.2Kg (0.44lb)



AC Input

Input voltage range 90 to 264VAC, 47-63Hz
Maximum input current 0.5A at 90VAC, 0.35A at 240VAC
IEC320 3 pin AC inlet connector

Output

Nominal PoE voltage 56VDC
Maximum PoE current 0.35A
Line and load regulation $\pm 4\%$
All 802.3af power classes (device power to 12.49W / equivalent PSE power 15.4W)
Cisco legacy PoE compatible
Extended OUTREACH power (2x OUTREACH and 12.49W at 300 metres)

Environmental

Operating temperature 0 to +40°C
Storage temperature -20 to +65°C
Operating humidity 5 to 90%

Immunity

ESD: EN61000-4-2. Level 3
RS: EN61000-4-3. Level 2
EFT: EN61000-4-4. Level 2
Surge: EN61000-4-5. Level 3
CS: EN61000-4-6. Level 2
Voltage Dips : EN61000-4-11
Harmonic: EN61000-3-2

Approvals

EMC - FCC Part 15 Class B, EN55022 Class B
Safety - cUL/UL

Indicators

ON	on	power good
CONNECT	on	IEEE802.3af device connected
FAULT/CONNECT/ON	blinking	fault condition. PoE signature fault or overload
FAULT/CONNECT	off	no PoE device detected

Data connectors

2 x 8P8C (RJ45) - data input, data/PoE output